

PORSCHE

Cayman S

\$58,900

Standard equipment includes:

3.4 Liter Flat 6 cylinder engine with vario-cam plus producing 295 Horsepower.
6-speed manual transmission with double inertia flywheel and hydraulic clutch.
Motronic electronic accelerator pedal with solid-state distribution.
McPherson strut axle front and rear.
18" C7S wheels.
Brake calipers painted in red.
Central dual exhaust pipes.
Braking system with 4-piston monobloc fixed alloy calipers and ventilated brake disks.
Porsche Stability Management (PSM).
Active Brake Differential (ABD).
Anti-lock Braking System (ABS).
Traction Control (ASR).
Automatic power windows with tip up/down.
Three spoke steering wheel in leather with full color Porsche crest.
On-board computer with continuous indication of mileage, time, and speed.
Instrument dials in aluminum color.
Outside mirrors are electrically adjustable and heated.
Automatically deployed rear spoiler.
Front end with prominent air intakes and lower spoiler edge painted in titan color.
Wide opening hatchback with heated window glass with optional rear wiper
Preparation for roof-rack system installation.
Driver and passenger front thorax and head advance airbags.
Seatbelt pretensioner with belt-force limitation.
Immobilizer System with transponder system for safety protection.
Central locking with remote control.
Digital Radio with in-dash CD and sound package which includes 7 loudspeakers.
Homelink System.
Alarm System.
Cruise Control.

**Porsche Cars North America
United States Order Guide
Model Year 2006**

Option prices, content, availability and relationships
are subject to change without notice.

PORSCHE

2006 Cayman S Order Guide

Standard Paint

Option	Description	Cayman S Retail Price
A1	Black	\$0
	Conflicts With	
	Requires	
	Must Pick One	
B4	Carrara White	\$0
	Conflicts With	
	Requires	
	Must Pick One	
G1	Guards Red	\$0
	Conflicts With	
	Requires	
	Must Pick One	
X4	Speed Yellow	\$0
	Conflicts With	
	Requires	
	Must Pick One	

PORSCHE

2006 Cayman S Order Guide

Optional Metallic Paint

Option	Description	Cayman S Retail Price
53	Forest Green Metallic	\$825
	Conflicts With	
	Requires	
	Must Pick One	
E4	Carmon Red Metallic	\$825
	Conflicts With	
	Requires	
	Must Pick One	
E7	Atlas Grey Metallic	\$825
	Conflicts With	
	Requires	
	Must Pick One	
E9	Midnight Blue Metallic	\$825
	Conflicts With	
	Requires	
	Must Pick One	

PORSCHE

2006 Cayman S Order Guide

Optional Metallic Paint

Option	Description	Cayman S Retail Price
J2	Lapis Blue Metallic	\$825
	Conflicts With	
	Requires	
	Must Pick One	
X1	Arctic Silver Metallic	\$825
	Conflicts With	
	Requires	
	Must Pick One	
Y1	Seal Grey Metallic	\$825
	Conflicts With	
	Requires	
	Must Pick One	
Z4	Basalt Black Metallic	\$825
	Conflicts With	
	Requires	
	Must Pick One	

PORSCHE

2006 Cayman S Order Guide

Special Paint

Option	Description	Cayman S Retail Price
56	Cobalt Blue Metallic	\$3,070
	Conflicts With	
	Requires	
	Must Pick One	
59	Slate Grey Metallic	\$3,070
	Conflicts With	
	Requires	
	Must Pick One	
7G	Dark Olive Metallic	\$3,070
	Conflicts With	
	Requires	
	Must Pick One	
G4	Dark Teal Metallic	\$3,070
	Conflicts With	
	Requires	
	Must Pick One	

PORSCHE

2006 Cayman S Order Guide

Special Paint

Option	Description	Cayman S Retail Price
U2	GT Silver Metallic	\$3,070
	Conflicts With	
	Requires	
	Must Pick One	

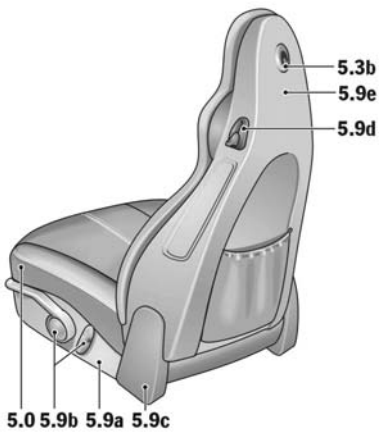
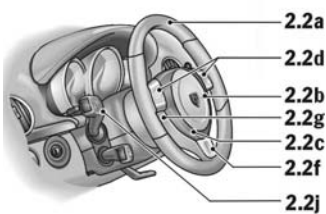
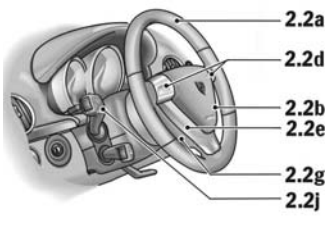
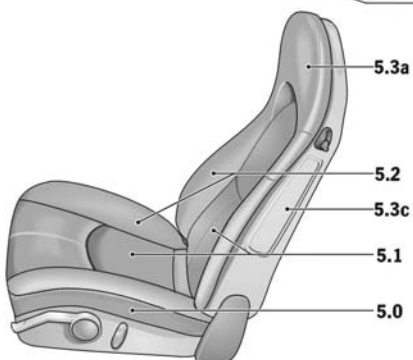
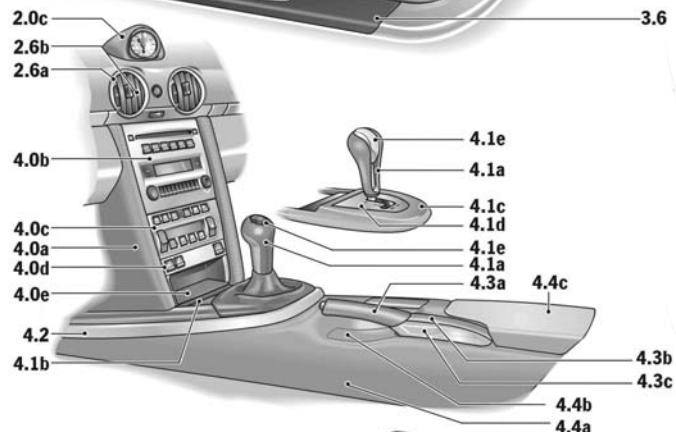
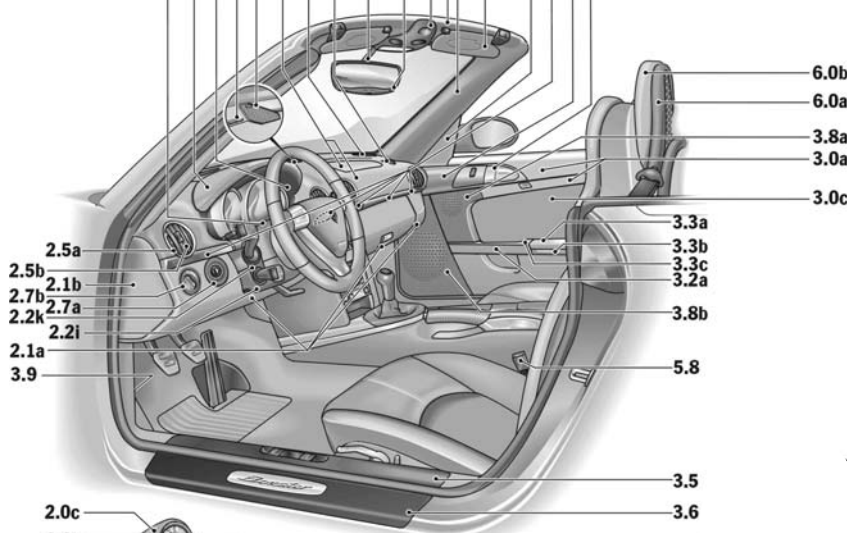
PORSCHE

2006 Cayman S Order Guide

Paint to Sample

Option	Description	Cayman S Retail Price
98	<p>Non-Metallic Paint to Sample</p> <p>This option usually results in a production delay of 3 to 6 months. Not all color request can be fulfilled and Porsche may require the customer or dealership to supply a paint sample or paint code in order to conduct feasibility testing. The deadline for submission of MY06 Paint to Sample orders will be approximately March 01, 2006. Contact PCNA for further details and confirmation of deadline.</p> <p>Conflicts With</p> <p>Requires</p> <p>Must Pick One</p>	\$4,315
99	<p>Metallic Paint to Sample</p> <p>This option usually results in a production delay of 3 to 6 months. Not all color request can be fulfilled and Porsche may require the customer or dealership to supply a paint sample or paint code in order to conduct feasibility testing. The deadline for submission of MY06 Paint to Sample orders will be approximately March 01, 2006. Contact PCNA for further details and confirmation of deadline.</p> <p>Conflicts With</p> <p>Requires</p> <p>Must Pick One</p>	\$4,315

2.0b 2.4a 2.0a 2.4b 1.2a 1.0a 3.0b 3.2c
 2.0e 2.0d 2.8b 2.8a 1.2c 1.1 1.0b 2.3 3.2b



1.0a	A-pillar/windscreen frame trim
1.0b	Sun visors
1.1	Interior light surround
1.2a	Rear view mirror frame
1.2b	Rear view mirror casing
1.2c	Rear view mirror mounting
2.0a	Switch panel (upper section) incl. airbag cover
2.0b	Instrument cover
2.0c	Timer cover
2.0d	Instrument surround
2.0e	Instrument surround lower section
2.1a	Switch panel (lower section) incl. glove compartment, three-part
2.1b	Switch panel end trim
2.2a	Steering wheel rim
2.2b	Airbag module
2.2c	Airbag module surround on three-spoke sports steering wheel
2.2d	Tiptronic S switches (left/right) or spoke trim (left/right)
2.2e	"Y" trim on standard steering wheel
2.2f	Lower spoke trim on three-spoke sports steering wheel
2.2g	Steering wheel hub cover
2.2h	Steering wheel adjustment collar
2.2i	Steering column casing (three-part) with hands-free microphone
2.2j	Control stalks
2.2k	Control stalk trim
2.3	Trim strip switch panel incl. cupholder trim, five-part
2.4a	Defroster trim
2.4b	Defroster air vent
2.5a	Side air vent surround
2.5b	Side air vent slats
2.6a	Central air vent surround
2.6b	Central air vent slats
2.7a	Ignition lock surround
2.7b	Light switch surround
2.8a	Loudspeaker finishers (treble) on switch panel (left/right)
2.8b	Loudspeaker finisher on switch panel (centre)
3.0a	Door trim incl. Head-Airbag cover
3.0b	Mirror attachment point finishers incl. mirror controls and base plate
3.0c	Door panel
3.2a	Front of door handle
3.2b	Door opener
3.2c	Door opener trim
3.3a	Lid of door storage bin
3.3b	Door storage bin surround
3.3c	Lid extension on door storage bin
3.5	Inner sill finisher
3.6	Door entry guard
3.8a	Loudspeaker finishers (mid-tone) incl. seat memory trim (driver's side)
3.8b	Loudspeaker finishers (bass)
3.9	Fuse box trim
4.0a	Centre console side trim, front
4.0b	Radio or PCM trim
4.0c	Climate control trim
4.0d	Lower switch trim
4.0e	Lower storage bin
4.1a	Gear lever or Tiptronic gear selector
4.1b	Gear lever trim
4.1c	Tiptronic gear selector gate surround
4.1d	Tiptronic gear selector gate
4.1e	Decorative trim on shift pattern or release of Tiptronic gear selector
4.2	Decorative trim on gear lever/selector
4.3a	Handbrake lever
4.3b	Handbrake finisher (upper section)
4.3c	Handbrake finisher (lower section)
4.4a	Rear section of centre console incl. ashtray cover
4.4b	Handbrake lever recess trim
4.4c	Lid of storage bin in rear section of centre console
5.0	Seat base
5.1	Seat centre
5.2	Lateral supports
5.3a	Integrated head restraints
5.3b	Clothes hook seat backrest
5.3c	Thorax airbag cover
5.8	Belt buckles
5.9a	Seat controls trim
5.9b	Seat controls
5.9c	Hinge cover
5.9d	Release lever
5.9e	Sports seat backrest
6.0a	Roll-over bar
6.0b	Trim on roll-over bar

987
 Revision
 14.04.2004
 VRS, AP

PORSCHE

2006 Cayman S Order Guide

Standard Leather

Option	Description	Cayman S Retail Price
AN	Black Standard Leather	\$0
	Conflicts With	
	Requires	
	Must Pick One	
DC	Stone Grey Standard Leather	\$0
	Conflicts With	
	Requires	
	Must Pick One	
FB	Sea Blue Standard Leather	\$0
	Conflicts With	
	Requires	
	Must Pick One	
JU	Palm Green Standard Leather	\$0
	Conflicts With	
	Requires	
	Must Pick One	

PORSCHE

2006 Cayman S Order Guide

Standard Leather

Option	Description	Cayman S Retail Price
TD	Sand Beige Standard Leather	\$0
	Conflicts With	
	Requires	
	Must Pick One	

PORSCHE

2006 Cayman S Order Guide

Leather for Sport Seats

Option	Description	Cayman S Retail Price
AP	Black Sport Seats	\$0
	Conflicts With	
	Requires	
	Must Pick One	P01 P77
DD	Stone Grey Sport Seats	\$0
	Conflicts With	
	Requires	
	Must Pick One	P01 P77
FC	Sea Blue Sport Seats	\$0
	Conflicts With	
	Requires	
	Must Pick One	P01 P77
JV	Palm Green Sport Seats	\$0
	Conflicts With	
	Requires	
	Must Pick One	P01 P77

PORSCHE

2006 Cayman S Order Guide

Leather for Sport Seats

Option	Description	Cayman S Retail Price
TE	Sand Beige Sport Seats	\$0
	Conflicts With	
	Requires	
	Must Pick One	P01 P77

PORSCHE

2006 Cayman S Order Guide

Full Leather

Option	Description	Cayman S Retail Price
AT	Black Full Leather Items in Leather: Steering wheel rim, gear lever, and gearshift cover/tiptronic S gear selector, handbrake handle and handbrake finisher and door handles covered in leather.	\$2,095
	Conflicts With	
	Requires	
	Must Pick One	
BG	Black/Stone Grey Interior Leather Black: Steering wheel rim, gear lever or tiptronic gear selector, handbrake lever and door trim (upper part), dashboard upper section, instrument cover. Leather Stone Grey: Gear shift cover, handbrake finisher (upper section), lid of storage bin in rear section of center console, head airbag cover, switch panel (lower section), including glove compartment, center console, side trim front. Soft Paint Stone Grey: Rear part of center console, loudspeaker finisher on door, switch panel end trim, gear lever trim, step protection foil in stone grey. Seats: Black Leather with Grey inserts. Carpeting in Stone Grey.	\$2,525
	Conflicts With	
	Requires	
	Must Pick One	
DF	Stone Grey Full Leather	\$2,095
	Conflicts With	
	Requires	
	Must Pick One	

PORSCHE

2006 Cayman S Order Guide

Full Leather

Option	Description	Cayman S Retail Price
FE	Sea Blue Full Leather	\$2,095
	Conflicts With	
	Requires	
	Must Pick One	
JX	Palm Green Full Leather	\$2,095
	Conflicts With	
	Requires	
	Must Pick One	
TG	Sand Beige Full Leather	\$2,095
	Conflicts With	
	Requires	
	Must Pick One	

PORSCHE

2006 Cayman S Order Guide

Special Leather

Option	Description	Cayman S Retail Price
05	Natural Leather Grey	\$3,605
	Conflicts With	
	Requires	
	Must Pick One	
06	Natural Leather Brown	\$3,605
	Conflicts With	
	Requires	
	Must Pick One	
MB	Special Leather Terracotta	\$2,525
	Conflicts With	
	Requires	
	Must Pick One	
RA	Special Leather Cocoa	\$2,525
	Conflicts With	
	Requires	
	Must Pick One	

PORSCHE

2006 Cayman S Order Guide

Leather to Sample

Option	Description	Cayman S Retail Price
99	<p>Leather Interior to Sample</p> <p>This option usually results in a production delay of 3 to 6 months. An interior sketch is required. Not all leather requests can be fulfilled and Porsche may require the customer or dealership to supply a leather sample or previous interior code in submission of MY06 Leather to Sample orders will be approximately March 01, 2006 Contact PCNA for further details and confirmation of the deadline. Note: Loudspeaker grills (door and dash) in black, steering wheel and airbag cover in black. Steering wheel rim and gearshift boot in black unless Exclusive options are ordered.</p> <p>Conflicts With</p> <p>Requires</p> <p>Must Pick One</p>	\$3,845

PORSCHE

2006 Cayman S Order Guide

Floormats

Option	Description	Cayman S Retail Price
CFX	Floor Mats With Colored Trim Floormats in interior color with trim in choice of Black, Speed Yellow, Guards Red, Giotto Grey and Maritime Blue. Porsche logo is always silver.	\$440
	Conflicts With	XX1 M6A M6B M6C M6G M6H M6N M6T
	Requires	
	Must Pick One	
M6A	Black Mats - Porsche lettering	\$115
	Conflicts With	M6B M6C M6G M6H M6N M6T XX1
	Requires	
	Must Pick One	
M6B	Sea Blue Floor Mats	\$115
	Conflicts With	M6C M6G M6H M6N M6T M6A XX1
	Requires	
	Must Pick One	

PORSCHE

2006 Cayman S Order Guide

Floormats

Option	Description	Cayman S Retail Price
M6C	Cocoa Floor Mats	\$115
	Conflicts With	M6B M6G M6H M6N M6T M6A XX1
	Requires	
	Must Pick One	
M6G	Stone Grey Floor Mats	\$115
	Conflicts With	M6B M6C M6H M6N M6T M6A XX1
	Requires	
	Must Pick One	
M6H	Natural Brown Floor Mats	\$115
	Conflicts With	M6B M6C M6G M6N M6T M6A XX1
	Requires	
	Must Pick One	

PORSCHE

2006 Cayman S Order Guide

Floormats

Option	Description	Cayman S Retail Price
M6N	Sand Beige Floor Mats	\$115
	Conflicts With	M6B M6C M6G M6H M6T M6A XX1
	Requires	
	Must Pick One	
M6T	Terracotta Floor Mats	\$115
	Conflicts With	M6B M6C M6G M6H M6N M6A XX1
	Requires	
	Must Pick One	
XX1	Front Floor Mats w/"Porsche" Set of two floor mats with matching leather trim surround and embroidered Porsche logo in silver. Note:for the interiors Natural Grey and Stone Grey the floormats will be black.	\$320
	Conflicts With	M6B M6C M6G M6H M6N M6T M6A
	Requires	
	Must Pick One	

PORSCHE

2006 Cayman S Order Guide

Packages

Option	Description	Cayman S Retail Price
PPA	Preferred Package Includes Wheel Caps with Colored Crest (446), Self-Dim Mirrors & Rain Sensor (P12), Bose Sound System (680), Heated Seats (342), Floor Mats in Interior Color (M6Z).	\$2,190
	Conflicts With	PPB M6A M6B M6C M6G M6H M6N M6T 249 PPBT PPAT
	Requires	
	Must Pick One	
PPAT	Preferred Package w/Tip Includes all options in Preferred Package and adds: Tiptronic (249).	\$4,995
	Conflicts With	PPB M6A M6B M6C M6G M6H M6N M6T PPA
	Requires	
	Must Pick One	

PORSCHE

2006 Cayman S Order Guide

Packages

Option	Description	Cayman S Retail Price
PPB	Preferred Package Plus Includes all options in Preferred Package and adds: Bi-Xenon Headlamps (P74), Power Seats (P15), Remote CD Changer (692).	\$4,990
	Conflicts With	PPA M6A M6B M6C M6G M6H M6N M6T 249 PPBT PPAT
	Requires	
	Must Pick One	
PPBT	Preferred Package Plus w/Tip Includes all options in Preferred Package Plus and adds: Tiptronic (249).	\$7,995
	Conflicts With	PPA M6A M6B M6C M6G M6H M6N M6T PPAT PPB
	Requires	
	Must Pick One	

PORSCHE

2006 Cayman S Order Guide

Seats

Option	Description	Cayman S Retail Price
342	Heated Front Seats Two stage heated front seats	\$480
	Conflicts With	
	Requires	
	Must Pick One	
982	Supple Leather Front and Rear Soft ruffled leather on seat center (7.0)	\$365
	Conflicts With	P01 P77 P78 AN DC FB JU TD
	Requires	
	Must Pick One	
P01	Adaptive Sport Seats Sport seats with electric adjustment for all seats functions, adjustable side bolsters, memory function for seat, and mirrors. Includes lumbar adjustment on driver side. Seatbacks in Volcano Grey.	\$3,055
	Conflicts With	P15 P77 P01L 982 P78
	Requires	
	Must Pick One	AP DD FC JV TE

PORSCHE

2006 Cayman S Order Guide

Seats

Option	Description	Cayman S Retail Price
P01L	Adaptive Sport Sts Lthr Int	\$2,695
	Conflicts With	P77 P78 P15 P01 982
	Requires	
	Must Pick One	AT BG DF FE JX TG 05 06 MB RA 99
P15	Power Seat Package	\$1,550
	Power Seat Package with driver memory and full electrical adjustment. Includes lumbar adjustment on driver side.	
	Conflicts With	P01 P77
	Requires	
	Must Pick One	
P77	Leather Sport Seats	\$760
	Leather Sport Seats Manual fore/aft and height adjustment, electric back adjustment. Seatbacks in Volcano Grey.	
	Conflicts With	P15 982 P01
	Requires	
	Must Pick One	AP DD FC JV TE

PORSCHE

2006 Cayman S Order Guide

Seats

Option	Description	Cayman S Retail Price
P78	Sport Seats w/Full Leather Int	\$400
	Conflicts With	P15 982 P77
	Requires	
	Must Pick One	AT BG DF FE JX TG 05 06 MB 99
XSC	Porsche Crest in Headrest Headrests on front seats (5.3a) embossed with Porsche Crest	\$270
	Conflicts With	
	Requires	
	Must Pick One	
XSH	Seat Belts - Silver	\$340
	Conflicts With	
	Requires	
	Must Pick One	
XSX	Seat Belts - Guards Red	\$340
	Conflicts With	XSH
	Requires	
	Must Pick One	

PORSCHE

2006 Cayman S Order Guide

Seats

Option	Description	Cayman S Retail Price
XSJ	Seat Belts - Speed Yellow	\$340
	Conflicts With	XSH XSX
	Requires	
	Must Pick One	

PORSCHE

2006 Cayman S Order Guide

Radio

Option	Description	Cayman S Retail Price
461	Rod Antenna Externally mounted antenna to improve AM reception.	\$0
	Conflicts With	
	Requires	
	Must Pick One	
680	Bose Surround Sound System	\$950
	Conflicts With	490
	Requires	
	Must Pick One	
692	Remote CD Changer (6 Disc)	\$650
	Conflicts With	
	Requires	
	Must Pick One	

PORSCHE

2006 Cayman S Order Guide

Technical

Option	Description	Cayman S Retail Price
249	Tiptronic S 5-speed automatic transmission with gear selectors mounted on the steering wheel	\$3,210
	Conflicts With	XCZ
	Requires	
	Must Pick One	
425	Rear Window Wiper	\$360
	Conflicts With	
	Requires	
	Must Pick One	
450	Ceramic Composite Brakes-PCCB	\$8,150
	Conflicts With	
	Requires	
	Must Pick One	
475	PASM Porsche Active Suspension Management system. Includes active management of suspension firmness and a ride height decrease of -10mm from the standard suspension.	\$1,990
	Conflicts With	
	Requires	
	Must Pick One	

PORSCHE

2006 Cayman S Order Guide

Technical

Option	Description	Cayman S Retail Price
482	TPMS	\$590
	Conflicts With	
	Requires	
	Must Pick One	
498	Delete Model Designation	\$0
	Conflicts With	
	Requires	
	Must Pick One	
509	Fire Extinguisher	\$140
	Conflicts With	
	Requires	
	Must Pick One	
573	Automatic Climate Control	\$550
	Conflicts With	
	Requires	
	Must Pick One	

PORSCHE

2006 Cayman S Order Guide

Technical

Option	Description	Cayman S Retail Price
580	Rear Luggage Partition	\$270
	Conflicts With	
	Requires	
	Must Pick One	
618	Telephone Preparation	\$340
	Antenna, microphone, wiring harness, and cradle base needed for hands-free operation of a mobile phone. ***Dealer must install Main Kit and appropriate cradle for each specific phone model. These are available through your Parts Department***	
	Conflicts With	
	Requires	
	Must Pick One	
635	Park Assist System	\$530
	Parking aid with 4 integrated sensors rear bumper only.	
	Conflicts With	
	Requires	
	Must Pick One	
639	Sport Chrono Pkg W/Out PCM	\$920
	Conflicts With	640 P16
	Requires	
	Must Pick One	

PORSCHE

2006 Cayman S Order Guide

Technical

Option	Description	Cayman S Retail Price
640	Sport Chrono Package Plus Package includes analog and digital chronometer, sport button in the center console and display in the PCM , also adds ability to adjust lighting, wipers, AC and door locking to suit personal preference.	\$920
	Conflicts With	639
	Requires	P16
	Must Pick One	P16
641	Electronic Logbook Enables automatic acquisition of mileage, driving distance, date, time and address of starting point and destination at every trip including PC- software for data download and evaluation.	\$650
	Conflicts With	
	Requires	
	Must Pick One	670
666	Module for Telephone PCM Phone module for PCM allows users with a GSM phone to insert a SIM card and use the PCM as a hands-free telephone.	\$960
	Conflicts With	618
	Requires	P16
	Must Pick One	

PORSCHE

2006 Cayman S Order Guide

Technical

Option	Description	Cayman S Retail Price
CGA	Headlight Cleaner Cvr Ext.Clr	\$215
	Conflicts With	
	Requires	P74
	Must Pick One	
CNX	Spoiler lips Aluminum Look	\$520
	Conflicts With	
	Requires	
	Must Pick One	
CUC	Painted Model Desig Rear Lid Painted in exterior color.	\$130
	Conflicts With	
	Requires	498
	Must Pick One	
CUF	PCM Package Painted Ext.Color PCM trim (4.0b), climate control (4.0c), lower switch trim (4.0d), lower storage bin (4.0e) in exterior color.	\$2,230
	Conflicts With	
	Requires	
	Must Pick One	P16 P23

PORSCHE

2006 Cayman S Order Guide

Technical

Option	Description	Cayman S Retail Price
DAE	Exterior Package Aluminum Look Aluminum look finish: front air intakes (left/right), air inlets in the rear quarter panel, wing mirror (lower part of shell). Option CNX recommended.	\$1,650
	Conflicts With	
	Requires	
	Must Pick One	
P12	Self-Dim Mirrors & Rain Sensor Auto dimming interior and exterior mirrors. Rain sensor to control wiper speed.	\$690
	Conflicts With	
	Requires	
	Must Pick One	
P16	PCM 2.1 5.8" screen with 12 button keypad. 2-tuner, top-radio with integrated CD-Rom/Audio drive, DVD-based GPS navigation module, on-board computer with simultaneous indicator of basic audio and navigation information.	\$2,970
	Conflicts With	
	Requires	
	Must Pick One	
P23	PCM 2.1 w/Extended Navigation Allows navigation on unmapped roads via GPS and compass.	\$3,175
	Conflicts With	
	Requires	
	Must Pick One	

PORSCHE

2006 Cayman S Order Guide

Technical

Option	Description	Cayman S Retail Price
P74	Bi-Xenon Headlamp Package Bi-Xenon Headlamp Package with dynamic leveling and headlight washers.	\$1,090
	Conflicts With	
	Requires	
	Must Pick One	
XCZ	Sport Shifter Reduces the shift throw up to 35%. Note:Increased shifting effort.	\$765
	Conflicts With	
	Requires	
	Must Pick One	
XFD	Instrument Dls. Sand Beige	STANDARD
	Conflicts With	
	Requires	
	Must Pick One	
XFE	Instrument Dials Terracotta	STANDARD
	Conflicts With	XFD
	Requires	
	Must Pick One	

PORSCHE

2006 Cayman S Order Guide

Technical

Option	Description	Cayman S Retail Price
XFF	Instrument Dials Nat. Brown	\$690
	Conflicts With	XFE XFD
	Requires	
	Must Pick One	
XFG	Instrument Dials Guards Red	\$690
	Conflicts With	XFE XFF XFD
	Requires	
	Must Pick One	
XFH	Instrument Dials Speed Yellow	\$690
	Conflicts With	XFE XFF XFG XFD
	Requires	
	Must Pick One	
XFJ	Instrument Dials Carrara White	\$690
	Conflicts With	XFE XFF XFG XFH XFD
	Requires	
	Must Pick One	

PORSCHE

2006 Cayman S Order Guide

Technical

Option	Description	Cayman S Retail Price
XLA	Chrome Exhaust Pipe Dual exhaust pipe in chrome-plated stainless steel.	\$340
	Conflicts With	
	Requires	
	Must Pick One	
XRP	5mm Wheel Spacers	\$490
	Conflicts With	
	Requires	
	Must Pick One	
XSA	Sport Seat Backs Painted Front Seat Backs Painted in exterior color.	\$1,495
	Conflicts With	P15
	Requires	
	Must Pick One	P77 P78 P01 P01L

PORSCHE

2006 Cayman S Order Guide

Wheels

Option	Description	Cayman S Retail Price
397	18" 987S Wheel	\$390
	Conflicts With	403
	Requires	
	Must Pick One	
403	19" Carrera S Wheel	\$1,550
	Conflicts With	397 405 407
	Requires	
	Must Pick One	
405	19" Carrera Classic Wheel	\$1,940
	Conflicts With	
	Requires	
	Must Pick One	
407	19" Sport Design Wheel	\$1,940
	Conflicts With	405
	Requires	
	Must Pick One	

PORSCHE

2006 Cayman S Order Guide

Wheels

Option	Description	Cayman S Retail Price
446	Wheel Caps with Colored Crest Wheel Caps with Colored Porsche Crest	\$185
	Conflicts With	
	Requires	
	Must Pick One	
CDB	Carrera S Wheel in Black Includes colored Porsche crest	\$1,915
	Conflicts With	446
	Requires	403
	Must Pick One	
XD9	Rims and Caps - Exterior Color with colored Porsche Crest	\$1,290
	Conflicts With	446
	Requires	
	Must Pick One	

PORSCHE

2006 Cayman S Order Guide

Interior Options in Leather

Option	Description	Cayman S Retail Price
431	3-Spoke Str Whl Multifctn lthr Smooth leather finish in interior color: steering wheel rim(2.2a)(with cross stitched seam) and airbag module(2.2b) Note: only in conjunction with PCM (P16).	\$990
	Conflicts With	435
	Requires	P16
	Must Pick One	
435	Sport Steering Wheel Three spoke steering wheel with smaller diameter and contoured rim.	\$250
	Conflicts With	431
	Requires	
	Must Pick One	
459	Leather Steering Wheel Smooth leather finish in interior color: steering wheel rim (2.2a)(with cross stitched seam) and airbag module(2.2b)	\$490
	Conflicts With	451 452 453 431 435 455
	Requires	
	Must Pick One	

PORSCHE

2006 Cayman S Order Guide

Interior Options in Leather

Option	Description	Cayman S Retail Price
460	Sport Steering Wheel Lthr Smaller wheel diameter rounded center and contoured rim with thumb rests; smoothg leather finish in interior color: steering wheel rim (2.2a)(with cross stitched seam), airbag module(2.2b).	\$740
	Conflicts With	455 451 452 453 435 459
	Requires	
	Must Pick One	
CDT	Seat Belt Buckles Leather Seat belt buckles (front 5.8) in leather. Decorative stitching where appropriate.	\$760
	Conflicts With	
	Requires	
	Must Pick One	
CDW	"Y" Trim Strng Wheel in Lthr. 2.2e	\$290
	Conflicts With	435 XPA 460
	Requires	
	Must Pick One	
CDZ	Gear Lever Trim Leather Gear lever trim (4.1b).	\$250
	Conflicts With	249
	Requires	
	Must Pick One	

PORSCHE

2006 Cayman S Order Guide

Interior Options in Leather

Option	Description	Cayman S Retail Price
CEA	PCM Handset Leather Leather finish interior color: three part, including support	\$580
	Conflicts With	
	Requires	
	Must Pick One	
CFA	Tiptronic Gate Leather Leather finish interior color including decorative stitching where appropriate: Tiptronic gear selector surround (4.1c).	\$310
	Conflicts With	249
	Requires	
	Must Pick One	
CNA	Defroster Trim Leather Defroster trim (2.4a), loudspeaker finisher on switch panel (center 2.8b).	\$580
	Conflicts With	
	Requires	
	Must Pick One	
CNB	Defroster air vents leather Defroster air vents (2.4b) in leather, air vent slats in soft paint interior color.	\$390
	Conflicts With	
	Requires	
	Must Pick One	

PORSCHE

2006 Cayman S Order Guide

Interior Options in Leather

Option	Description	Cayman S Retail Price
CPT	Storage Lid Bin W/Porsche Crst 4.4c	\$290
	Conflicts With	
	Requires	
	Must Pick One	
CPU	Key Pouch Interior Color Leath	\$110
	Conflicts With	
	Requires	
	Must Pick One	
CTG	Inner Sill Finishers Leather Inner sill finishers (3.5) in leather interior color.	\$840
	Conflicts With	
	Requires	
	Must Pick One	
CUJ	Fuse Box trim Leather 3.9	\$290
	Conflicts With	
	Requires	
	Must Pick One	

PORSCHE

2006 Cayman S Order Guide

Interior Options in Leather

Option	Description	Cayman S Retail Price
CUR	PCM Package Leather Leather finish interior color PCM trim (4.0b), climate control trim (4.0c), lower switch trim (4.0d), lower storage bin (4.0e).	\$2,230
	Conflicts With	
	Requires	
	Must Pick One	P16 P23
CUV	Storage Cmpt Lid W/Model Logo Lid of storage bin in rear section of center console (4.4c) with Cayman/Cayman S logo.	\$290
	Conflicts With	
	Requires	
	Must Pick One	
CVP	Trim Strip Leather 2.3	\$650
	Conflicts With	
	Requires	
	Must Pick One	
CVW	Rear View Mirror Leather Rear view mirror frame (1.2a) rear view mirror casing(1.2b) rear view mirror casing(1.2c)	\$475
	Conflicts With	
	Requires	
	Must Pick One	

PORSCHE

2006 Cayman S Order Guide

Interior Options in Leather

Option	Description	Cayman S Retail Price
CVY	Clothes Hook Backrest Leather 5.3b	\$240
	Conflicts With	
	Requires	
	Must Pick One	
DAA	Interior Pkg A Pillar Leather Leather finish in interior color including decorative stitching where appropriate: switch panel end trim (2.1b), ignition lock surround (2.7a), mirror attachment point finishers including mirror controls and base plate (3.0b)	\$740
	Conflicts With	
	Requires	
	Must Pick One	
EBA	Leather Dashboard Trim Smooth leather finish in interior color. Side air vent slats (2.5b), central air vent slats (2.6b), loudspeaker finisher on switch panel (center 2.8b), defroster trim (2.4a), trim strip switch panel incl. cupholder trim (2.3).	\$2,050
	Conflicts With	
	Requires	
	Must Pick One	
XMP	Lthr Sun Visors Lighted Mirror	\$560
	Conflicts With	
	Requires	
	Must Pick One	

PORSCHE

2006 Cayman S Order Guide

Interior Options in Leather

Option	Description	Cayman S Retail Price
XMZ	Rear Center Console - Leather Smooth leather finish in interior color: rear section of center console incl. ashtray cover (4.4a),handbreak lever recess trim (4.4b)	\$1,260
	Conflicts With	XMJ XCK XME XJT XJU
	Requires	
	Must Pick One	
XNG	Instrument Surround in Leather Smooth leather finish in interior color:instrument surround (2.0d).	\$260
	Conflicts With	
	Requires	
	Must Pick One	
XNS	Steering Column Covered in Leather 2.2i	\$420
	Conflicts With	
	Requires	
	Must Pick One	

PORSCHE

2006 Cayman S Order Guide

Interior Options in Leather

Option	Description	Cayman S Retail Price
XPA	Thicker Steering Wheel-Leather Sport steering wheel with thicker rim and smooth leather finish in interior color: thicker steering rim (2.2a)(with cross stitched seam), airbag module(2.2b), steering wheel hub cover(2.2g)	\$1,050
	Conflicts With	452 453 460 455 451 435
	Requires	
	Must Pick One	
XTV	Door Finishers in Leather Smooth leather finish in interior color: Door opener trim (3.2c)	\$360
	Conflicts With	
	Requires	
	Must Pick One	

PORSCHE

2006 Cayman S Order Guide

Interior Options in Aluminum Look

Option	Description	Cayman S Retail Price
CCP	PCM Package Alu. Look Aluminum look paint finish: PCM trim (4.0b), climate control trim (4.0c), lower switch trim (4.0d), lower storage bin (4.0e).	\$2,230
	Conflicts With	
	Requires	
	Must Pick One	P16 P23
CCR	PCM Handset Aluminum Look Aluminum look finish upper section. Leather finish interior color: lower section, including support (three part)	\$540
	Conflicts With	
	Requires	
	Must Pick One	
CDA	Air Vent Slats Aluminum Look Side air vents(2.5b), central air vents (2.6b).	\$1,290
	Conflicts With	
	Requires	
	Must Pick One	
CDD	"Y" Trim Strng Wheel Alu. Lk 2.2e	\$290
	Conflicts With	435 XPA 460
	Requires	
	Must Pick One	

PORSCHE

2006 Cayman S Order Guide

Interior Options in Aluminum Look

Option	Description	Cayman S Retail Price
CXB	Door Entry Grds Stl Steel Illu Door entry Guards (right/left 3.6) in stainless steel with Cayman/Cayman S logo illuminated in white.	\$780
	Conflicts With	X69 X70
	Requires	
	Must Pick One	
DAD	Gear Lever/Handbrake Alu./Lthr In aluminum: gear lever (partially;4.1a) including milled in shift pattern, inlay in handbrake lever(4.3a) with Porsche logo. Smooth leather finish in interior color: handbrake lever (4.3a), handbrake finisher (upper section;4.3b). Aluminum look paint finish: handbrake finisher (lower section;4.3c).	\$1,680
	Conflicts With	249 X97
	Requires	
	Must Pick One	
EBE	Aluminum Look Dashboard Trim Aluminum Look paint finish: instrument surround(2.0d). smooth leather finish in interior color:side air vent slats(2.5b), central air vent slats(2.6b), loudspeaker finisher on switch panel (center 2.8b), defroster trim 2.4a).	\$1,230
	Conflicts With	
	Requires	
	Must Pick One	

PORSCHE

2006 Cayman S Order Guide

Interior Options in Aluminum Look

Option	Description	Cayman S Retail Price
X70	Metal Door Sill Model Insignia Door entry guards in stainless steel with Boxster/Boxster S logo (3.6)	\$415
	Conflicts With	X69
	Requires	
	Must Pick One	
X97	Gear Shifter Aluminum Gear lever in new design in aluminum. Inlays in gear lever finished in smooth leather in interior color.	\$880
	Conflicts With	
	Requires	
	Must Pick One	
XCG	Seat Backs In Aluminum Look	\$1,495
	Conflicts With	
	Requires	
	Must Pick One	
XCK	Rear Cnt.Cnsl in Aluminum Look Aluminum Look Paint finish: rear section of center console incl. ashtray cover (4.4a). Smooth leather finish in interior color: handbreak lever recess trim (4.4b)	\$730
	Conflicts With	451 452 801 802
	Requires	
	Must Pick One	

PORSCHE

2006 Cayman S Order Guide

Interior Options in Aluminum Look

Option	Description	Cayman S Retail Price
XCL	Instrument Surround Alum. Look Aluminum Look finish: instrument surround(2.0d)	\$360
	Conflicts With	E40
	Requires	
	Must Pick One	
XPV	Steer Whl. Multifctn Alum Look Aluminum Look paint with smooth leather in interior color: steering wheel rim (2.2a)with cross stitched seam. Smooth leather finish in interior color:airbag module(2.2b), steering wheel hub cover (2.2g). Note: only in conjunction with PCM (P16)	\$1,310
	Conflicts With	
	Requires	
	Must Pick One	
XTW	Door Finishers Aluminum Look Aluminum Look Paint finish: lid of storage bin (3.3a), lid extension on door storage bin (3.3c), door opener trim(3.2c)	\$1,550
	Conflicts With	XTU XTL XTT 451 452 801 802 XJT XJU
	Requires	
	Must Pick One	

PORSCHE

2006 Cayman S Order Guide

Interior Options in Aluminum Look

Option	Description	Cayman S Retail Price
XXZ	Foot Rest Aluminum Driver's side foot rest in aluminum and rubber.	\$250
	Conflicts With	
	Requires	
	Must Pick One	

PORSCHE

2006 Cayman S Order Guide

Interior Options in Carbon

Option	Description	Cayman S Retail Price
453	Carbon Str Whl Multifctn Carbon Str Whl Multifctn Steering wheel rim (2.2a) with smooth leather finish with carbon inserts; airbag module (2.2b) with smooth leather finish. Note: only in conjunction with PCM (P16)	\$1,360
	Conflicts With	455 451 452 435 459 431
	Requires	P16
	Must Pick One	
803	Carbon Package Carbon fiber finish: trim strip switch panel incl. cupholder trim, five part(2.3) gear lever or Tiptronic selector (4.1a), handbrake lever (4.3a)	\$890
	Conflicts With	801 802 451 452
	Requires	
	Must Pick One	
CED	PCM Handset Carbon Carbon finish upper section smooth leather finish lower section including support.	\$890
	Conflicts With	
	Requires	
	Must Pick One	

PORSCHE

2006 Cayman S Order Guide

Interior Options in Carbon

Option	Description	Cayman S Retail Price
CXD	Door Entry Grds Carbon Illumin Door entry Guards (right/left 3.6) in carbon with Cayman/ Cayman S logo illuminated in white.	\$1,380
	Conflicts With	X69 X70
	Requires	
	Must Pick One	
EBD	Carbon Dashboard Trim Carbon fiber finish: inlay in defroster trim (2.4a). Smooth leather finish in interior color: side air vent slats (2.5b), central air vent slats (2.6b), loudspeaker finisher on switch panel (center;2.8b), defroster trim (partially; 2.4a).	\$1,650
	Conflicts With	
	Requires	
	Must Pick One	
X69	Carbon Door Sil Model Insignia Door entry guards in carbon with Boxster/Boxster S logo (3.6)	\$570
	Conflicts With	
	Requires	
	Must Pick One	

PORSCHE

2006 Cayman S Order Guide

Interior Options in Carbon

Option	Description	Cayman S Retail Price
XMJ	Rear Center Console - Carbon Carbon Fiber finish: rear section of center console incl. ashtray cover (4.4a). Smooth leather finish in interior color: handbreak lever recess trim (4.4b)	\$1,625
	Conflicts With	XCK XME XJT XJU 451 452 801 802
	Requires	
	Must Pick One	
XTL	Door Finisher in Carbon Carbon fiber finish: lid of storage bin (3.3a), lid extension on door storage bin (3.3c), door opener trim(3.2c)	\$2,150
	Conflicts With	
	Requires	
	Must Pick One	

PORSCHE

2006 Cayman S Order Guide

Interior Options in Light Wood

Option	Description	Cayman S Retail Price
452	Sycamore Str Whl Multifctn Steering wheel rim (2.2a) with smooth leather finish with wood inserts; airbag module (2.2b) with smooth leather finish. Note: only in conjunction with PCM (P16)	\$1,360
	Conflicts With	455 451 453 435 459 431
	Requires	P16
	Must Pick One	
802	Sycamore Package Light sycamore finish: trim strip switch panel incl. cupholder trim, five part(2.3) gear lever or Tiptronic selector (4.1a), handbrake lever (4.3a)	\$890
	Conflicts With	801 451 453 803
	Requires	
	Must Pick One	
CFC	PCM Handset Sycamore Sycamore finish upper section smooth leather finish lower section including support.	\$890
	Conflicts With	
	Requires	
	Must Pick One	

PORSCHE

2006 Cayman S Order Guide

Interior Options in Light Wood

Option	Description	Cayman S Retail Price
EBC	Sycamore Dashboard Trim Light Sycamore finish: inlay in defroster trim (2.4a). Smooth leather finish in interior color: side air vent slats (2.5b), central air vent slats (2.6b), loudspeaker finisher on switch panel (center; 2.8b), defroster trim (partially; 2.4a).	\$1,650
	Conflicts With	
	Requires	
	Must Pick One	
XJU	Rear Ctr. Console Sycamore Light Sycamore finish: rear section of center console incl. ashtray cover (4.4a). Smooth leather finish in interior color: handbrake lever recess trim (4.4b)	\$1,625
	Conflicts With	XCK XJT
	Requires	
	Must Pick One	
XTU	Door Finishers Sycamore Light Sycamore finish: lid of storage bin (3.3a), lid extension on door storage bin (3.3c), door opener trim (3.2c)	\$2,150
	Conflicts With	XTL XTT 451 453 801 803 XCK XJT XMJ
	Requires	
	Must Pick One	

PORSCHE

2006 Cayman S Order Guide

Interior Options in Dark Wood

Option	Description	Cayman S Retail Price
451	Makassar Str Whl Multifctn Steering wheel rim (2.2a) with smooth leather finish with wood inserts; airbag module (2.2b) with smooth leather finish. Note: only in conjunction with PCM (P16)	\$1,360
	Conflicts With	452 460 455 XPA 802 453 435 459 XJU XMJ XTL XTU
	Requires	P16
	Must Pick One	
801	Makassar Package Dark Makassar finish: trim strip switch panel incl. cupholder trim, five part(2.3) gear lever or Tiptronic selector (4.1a), handbreak lever (4.3a)	\$890
	Conflicts With	452 453 802 803
	Requires	
	Must Pick One	
CFH	PCM Handset Makassar Makassar finish upper section smooth leather finish lower section including support.	\$890
	Conflicts With	
	Requires	
	Must Pick One	

PORSCHE

2006 Cayman S Order Guide

Interior Options in Dark Wood

Option	Description	Cayman S Retail Price
EBB	Makassar Dashboard Trim Dark Makassar finish: inlay in defroster trim (2.4a). Smooth leather finish in interior color: side air vent slats (2.5b), central air vent slats (2.6b), loudspeaker finisher on switch panel (center;2.8b), defroster trim (partially; 2.4a).	\$1,650
	Conflicts With	
	Requires	
	Must Pick One	
XJT	Rear Ctr. Console Makassar Dark Makassar finish: rear section of center console incl. ashtray cover (4.4a). Smooth leather finish in interior color: handbreak lever recess trim (4.4b)	\$1,625
	Conflicts With	XCK 452 453 802 803
	Requires	
	Must Pick One	
XTT	Door Finishers Makassar Dark Makassar finish: lid of storage bin (3.3a), lid extension on door storage bin (3.3c), door opener trim(3.2c)	\$2,150
	Conflicts With	XTL 452 453 802 803 XCK XJU
	Requires	
	Must Pick One	

PORSCHE

2006 Cayman S Order Guide

Interior Options in Exterior Color

Option	Description	Cayman S Retail Price
805	Interior Design Pkg - Exterior Painted in exterior color: baggage retaining clip, storage box lids, loudspeaker finisher and suspension strut dome.	\$1,190
	Conflicts With	
	Requires	
	Must Pick One	
CDJ	Gear Lever Trim Exterior Color Decorative trim on gear lever/ selector (4.2).	\$290
	Conflicts With	
	Requires	
	Must Pick One	
CDM	Trim Strip Painted Ext Clr Trim strip including cup holder (five part 2.3) in exterior color.	\$560
	Conflicts With	
	Requires	
	Must Pick One	
CDN	Air Vent Slats Painted Ext Clr Side air vent slats (2.5b), central air vent slats (2.6b) in exterior color.	\$1,280
	Conflicts With	
	Requires	
	Must Pick One	

PORSCHE

2006 Cayman S Order Guide

Interior Options in Exterior Color

Option	Description	Cayman S Retail Price
CDP	Instr Surround Painted Ext Clr instrument surround (2.0d) in exterior color.	\$475
	Conflicts With	XNG XCL
	Requires	
	Must Pick One	
CER	PCM Handset Painted Ext Clr Paint finish upper section. Leather finish interior color: lower section, including support (three part)	\$540
	Conflicts With	
	Requires	
	Must Pick One	
CET	Door Opener Trim Exterior Clr Door opener trim (3.2c) in exterior color.	\$780
	Conflicts With	
	Requires	
	Must Pick One	
XME	Rear Ctr Cons Painted Extr Clr Paint finish in exterior color : rear section of center console including ashtray cover (4.4a). Leather finish in interior color: handbrake lever recess trim (4.4b).	\$730
	Conflicts With	XCK XJU XJT
	Requires	
	Must Pick One	

PORSCHE

2006 Cayman S Order Guide

Interior Options in Exterior Color

Option	Description	Cayman S Retail Price
XSB	Sport Seat Backs in Leather Front Seat Backs in leather in interior color.	\$1,610
	Conflicts With	
	Requires	
	Must Pick One	
